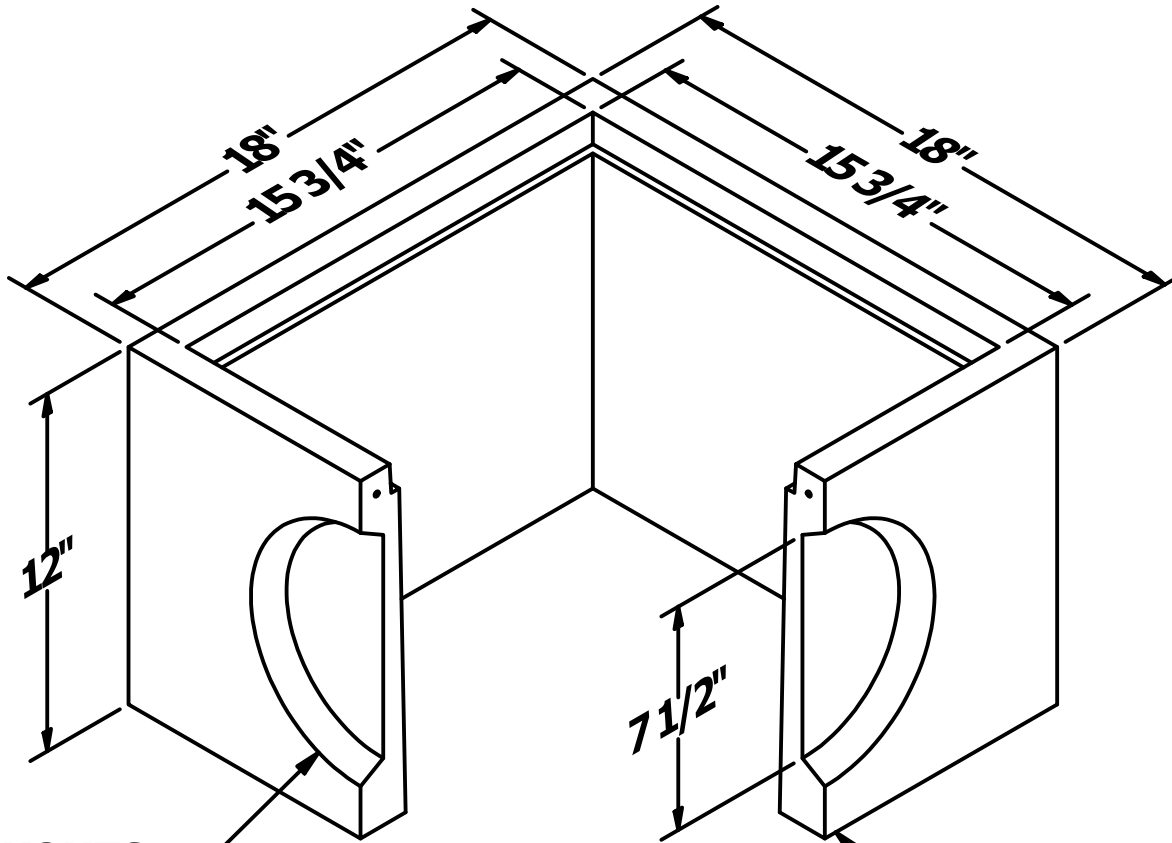
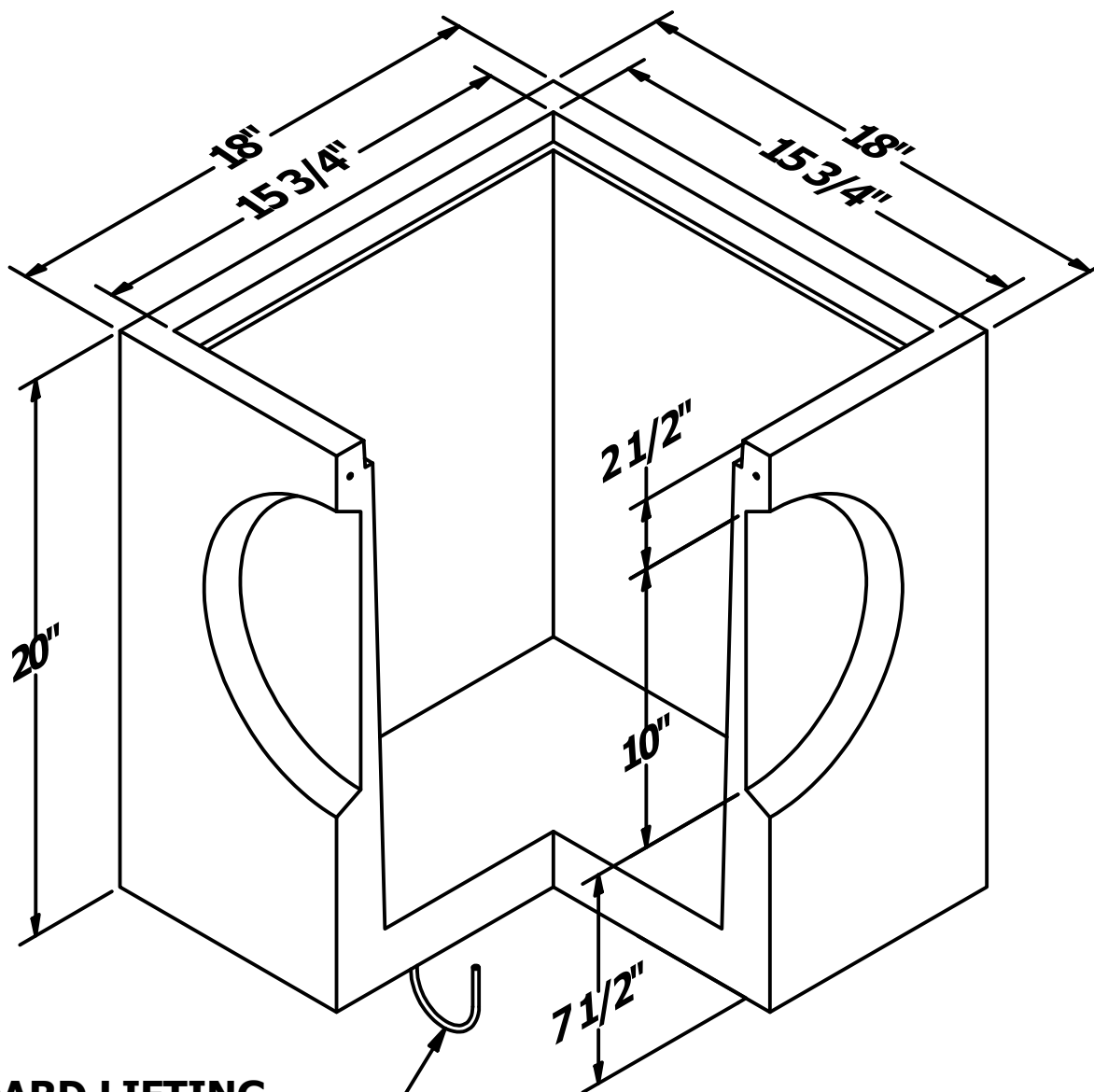


# CATCH BASIN 18 X 18 - WC



**KNOCKOUTS  
AVAILABLE ON 12"**

**ADJUSTMENT RISER AVAILABLE  
IN: 4", 6" & 12" HEIGHTS**



**STANDARD LIFTING  
HANDLE (2 PLCS)**

PRODUCT WEIGHTS		
RISER HEIGHT	ADJ RISER	CATCH BASIN
-	-	155 LBS
4"	30 LBS	-
6"	45 LBS	-
12"	70 LBS	-



**Precast Concrete, LLC.**

**NOTES:**  
1. ALL DIMENSIONS SUBJECT TO ALLOWABLE TOLERANCES  
2. 6 GA REINFORCING WIRE

DRAWN CLH	9/11/2020	<b>PRECAST CONCRETE LLC.</b>	
CHECKED			
QA		TITLE: <b>ASSY, 18 X 18 CATCH BASIN, WC</b>	
MFG		PROJECT: PRODUCT DRAWINGS	
APPROVED CLH/EK	2/2/2021	SIZE B	DWG NO <b>55-0016</b>
		SCALE	REV -
			SHEET 1 OF 1