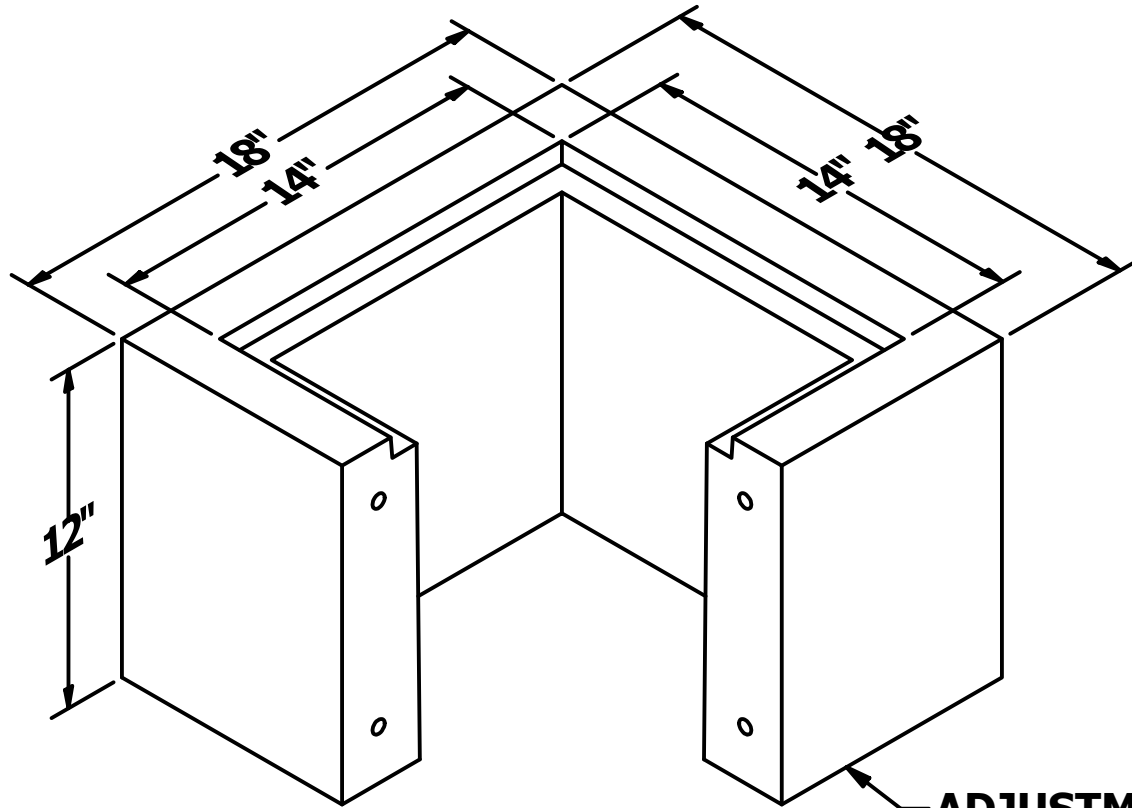
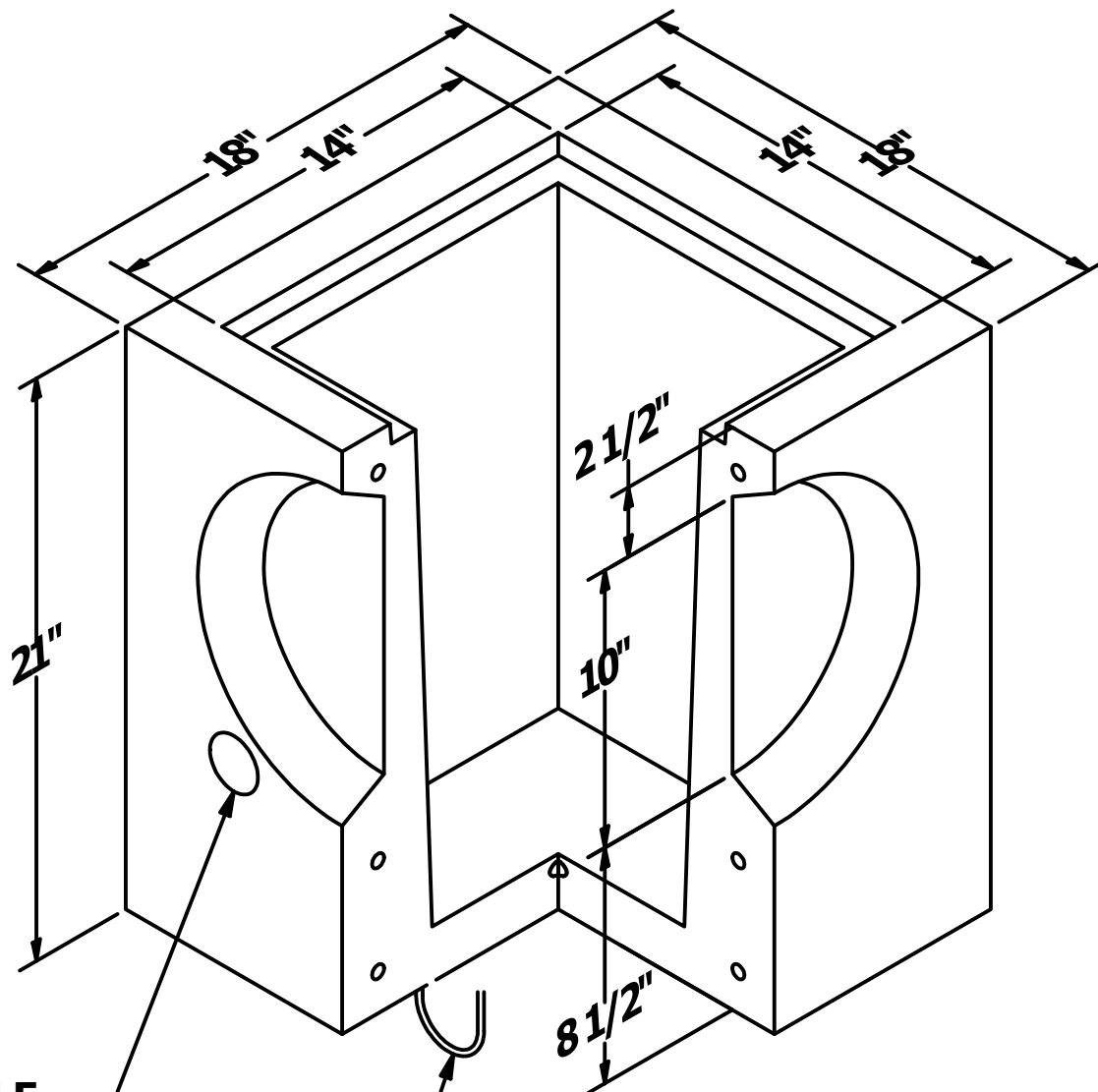


CATCH BASIN TYPE 20 - WC



**ADJUSTMENT RISER
AVAILABLE IN: 4", 6" & 12"**



**Ø2" LIFTING HOLE
(2 PLCS)**

**STANDARD LIFTING
HANDLE (2 PLCS)**

PRODUCT WEIGHTS		
RISER HEIGHT	ADJ RISER	CATCH BASIN
-	-	245 LBS
4"	65 LBS	-
6"	95 LBS	-
12"	145 LBS	-



Precast Concrete, LLC.

NOTES:
1. ALL DIMENSIONS SUBJECT TO ALLOWABLE TOLERANCES
2. #3 REINFORCING ROD

DRAWN CLH	9/16/2020	PRECAST CONCRETE LLC.	
CHECKED			
QA		TITLE: ASSY, TYPE 20 CATCH BASIN, WC	
MFG		PROJECT: PRODUCT DRAWINGS	
APPROVED CLH/EK	2/4/2021	SIZE B	DWG NO 55-0017
		SCALE	REV -
			SHEET 1 OF 1