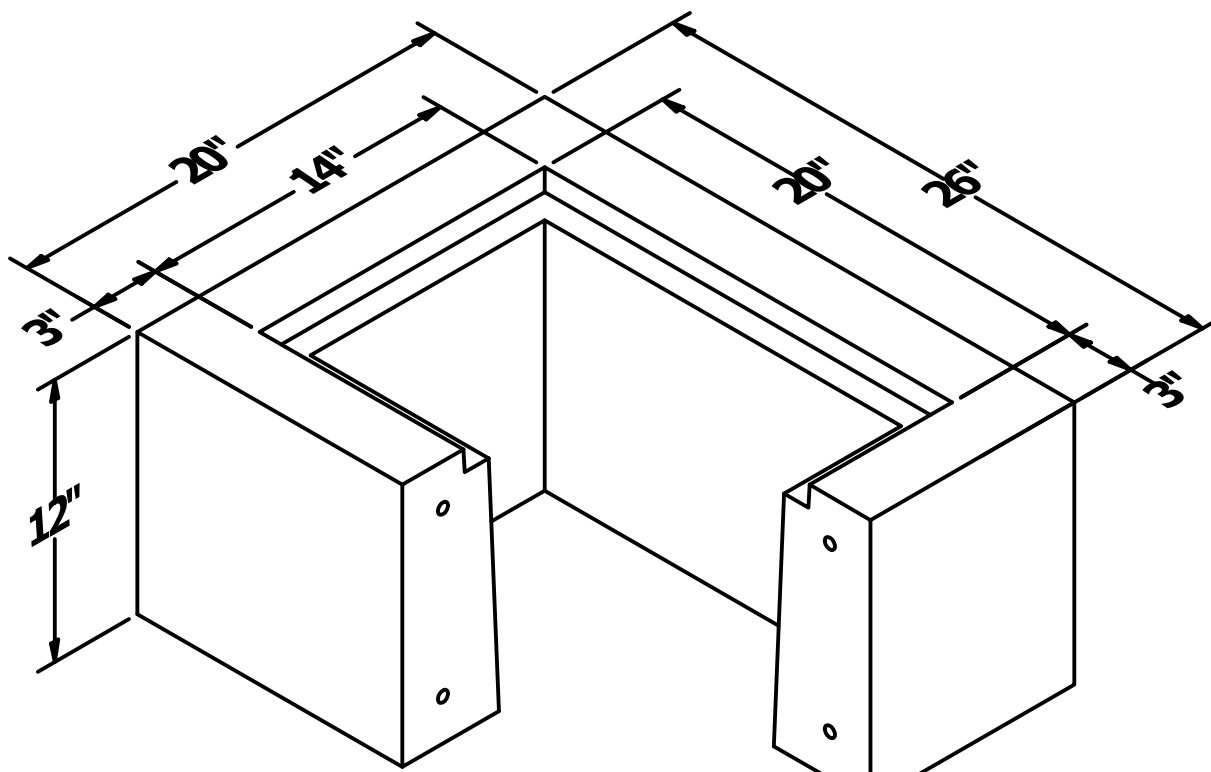
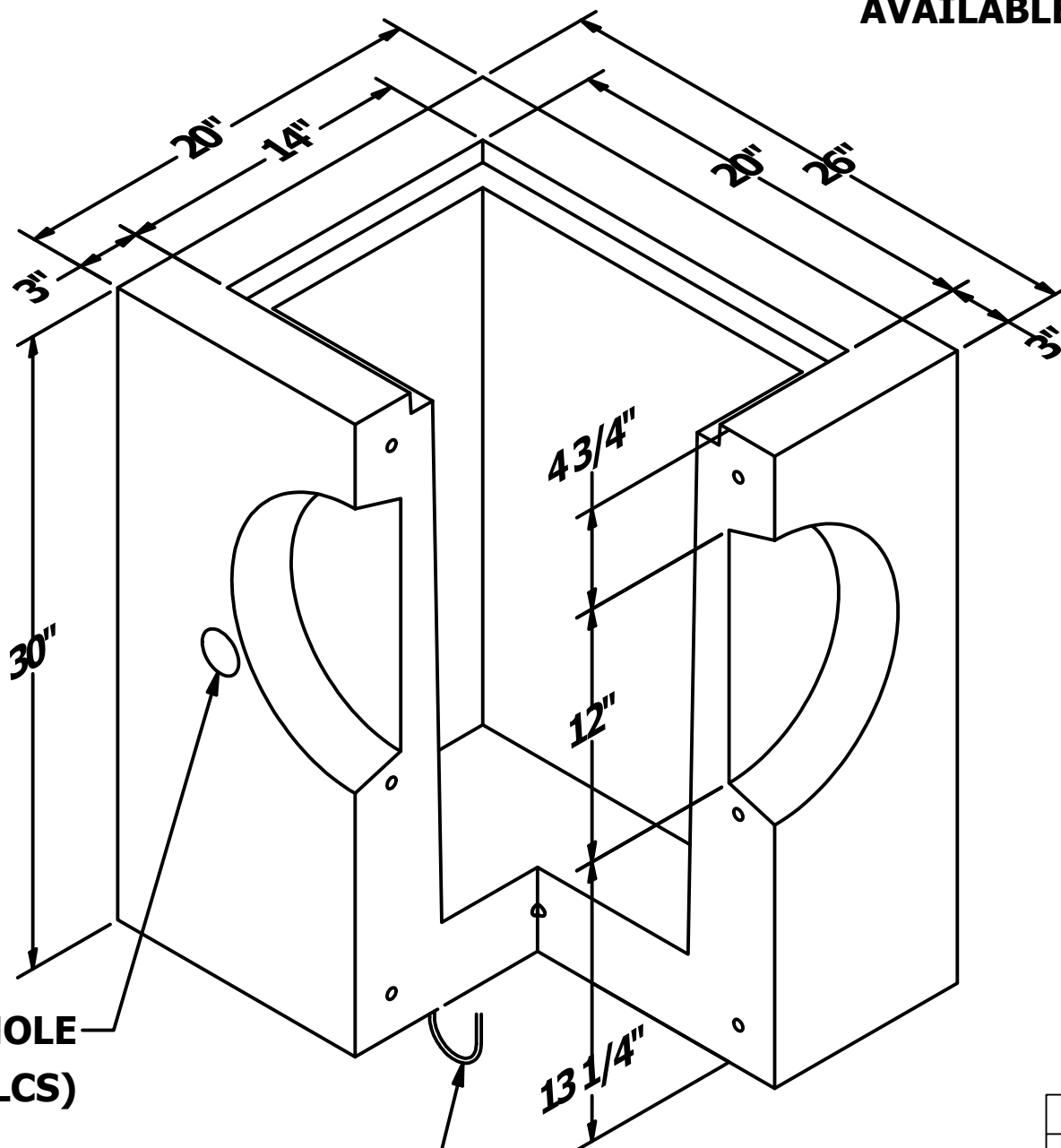


# CATCH BASIN TYPE 40 - WC



**ADJUSTMENT RISER  
AVAILABLE IN: 4", 6" & 12"**



**Ø2" LIFTING HOLE  
(2 PLCS)**

**STANDARD LIFTING  
HANDLE (2 PLCS)**

PRODUCT WEIGHTS		
RISER HEIGHT	ADJ RISER	CATCH BASIN
-	-	820 LBS
4"	102 LBS	-
6"	155 LBS	-
12"	315 LBS	-



**Precast Concrete, LLC.**

**NOTES:**  
1. ALL DIMENSIONS SUBJECT TO ALLOWABLE TOLERANCES  
2. #3 REINFORCING ROD

DRAWN CLH	9/16/2020	<b>PRECAST CONCRETE LLC.</b>	
CHECKED			
QA		TITLE: ASSY, TYPE 40 CATCH BASIN, WC	
MFG		PROJECT: PRODUCT DRAWINGS	
APPROVED CLH/EK	1/25/2021	SIZE B	DWG NO 55-0018
		SCALE	REV -
			SHEET 1 OF 1