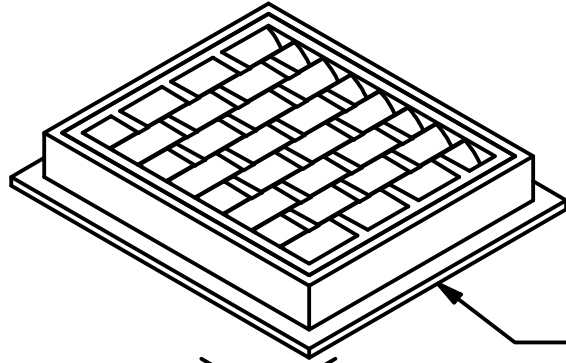
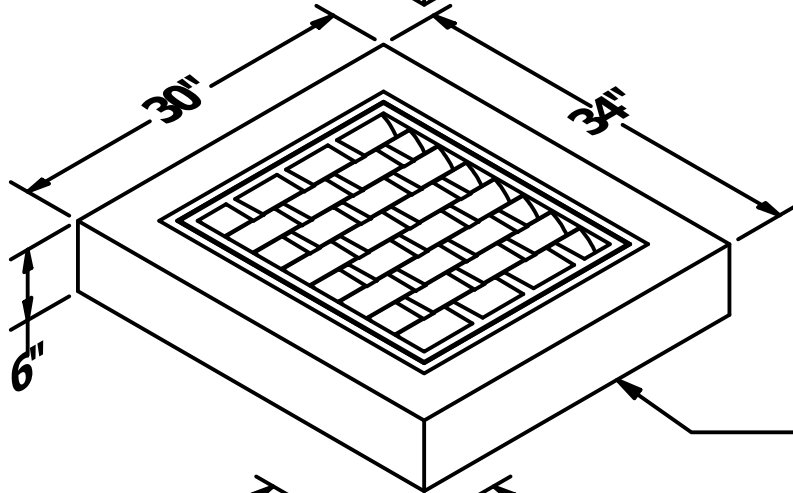


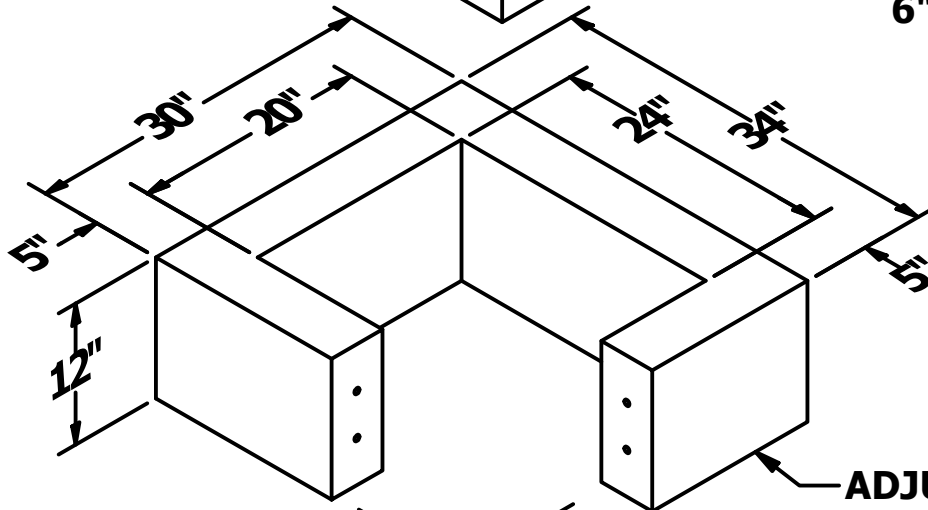
# CATCH BASIN TYPE 1P/241 - WC



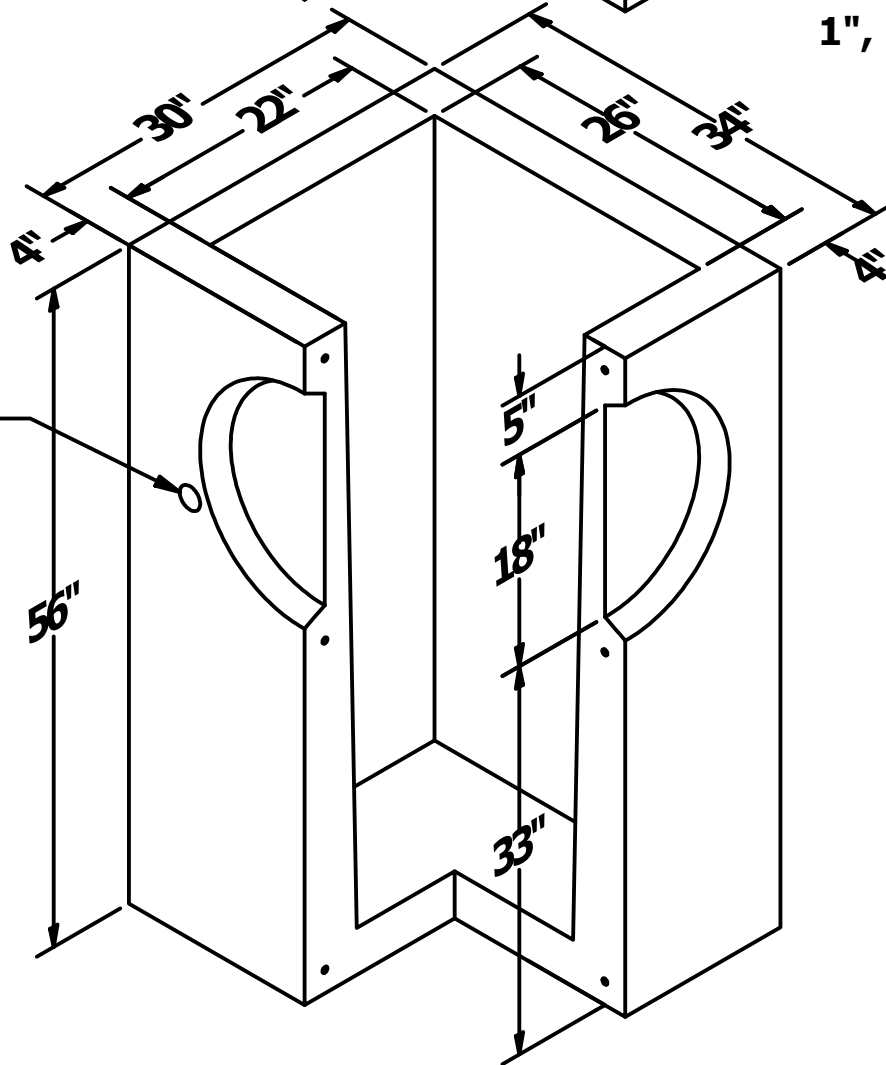
FRAME & GRATE AS REQUIRED



FRAME & GRATE CAST INTO 6" THICK CONCRETE SLAB



ADJUSTMENT RISER AVAILABLE IN:  
1", 1-1/2", 2", 4", 6", 12" & 24"



Ø2" LIFTING HOLE  
(2 PLCS)

PRODUCT WEIGHTS		
RISER HEIGHT	ADJ RISER	CATCH BASIN
-	-	1900 LBS
1"	50 LBS	-
1-1/2"	72 LBS	-
2"	96 LBS	-
4"	190 LBS	-
6"	285 LBS	-
12"	565 LBS	-
24"	1130 LBS	-



**Precast Concrete, LLC.**

- NOTES:**  
 1. MEETS OR EXCEEDS WSDOT STANDARD PLAN B-5.60-02  
 2. ALL DIMENSIONS SUBJECT TO ALLOWABLE TOLERANCES

DRAWN CLH	8/19/2020	PRECAST CONCRETE LLC.	
CHECKED			
QA		TITLE: ASSY, TYPE 1P/241 CATCH BASIN, WC	
MFG		PROJECT: PRODUCT DRAWINGS	
APPROVED CLH/EK	2/3/2021	SIZE B	DWG NO 55-0020
		SCALE	REV -
			SHEET 1 OF 1