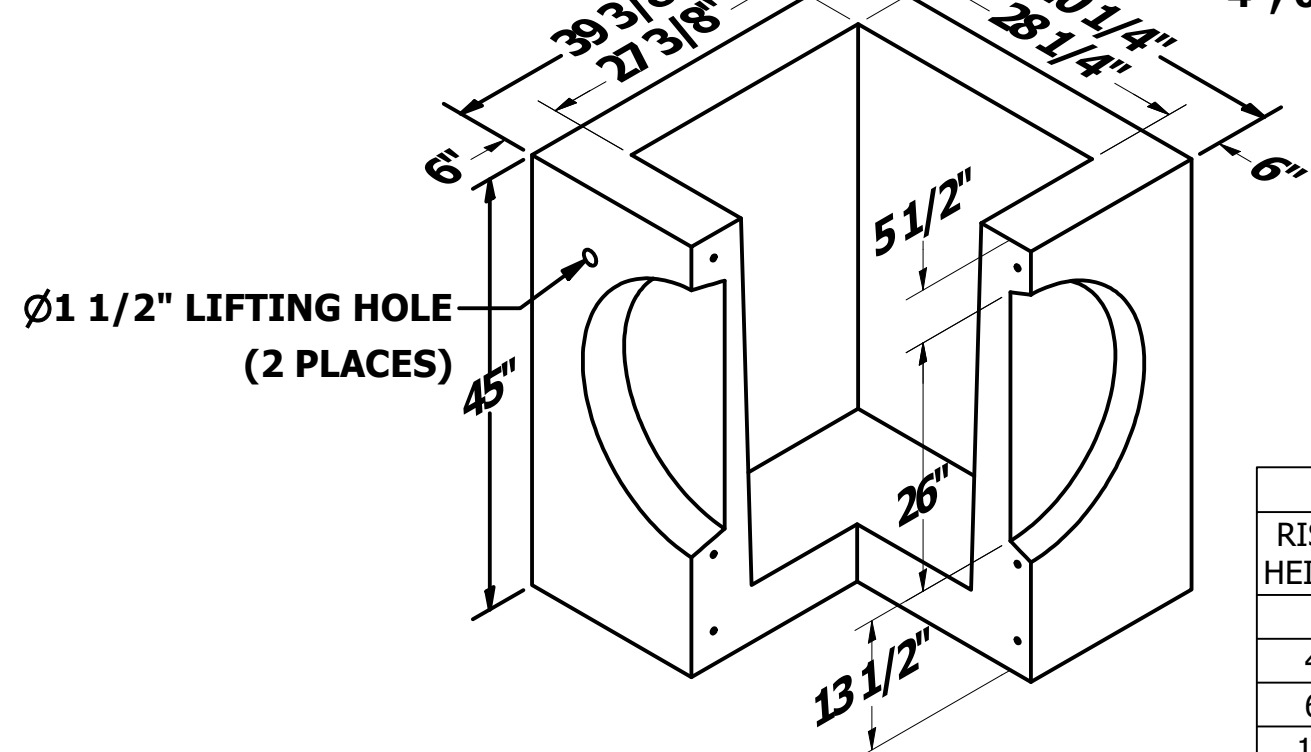
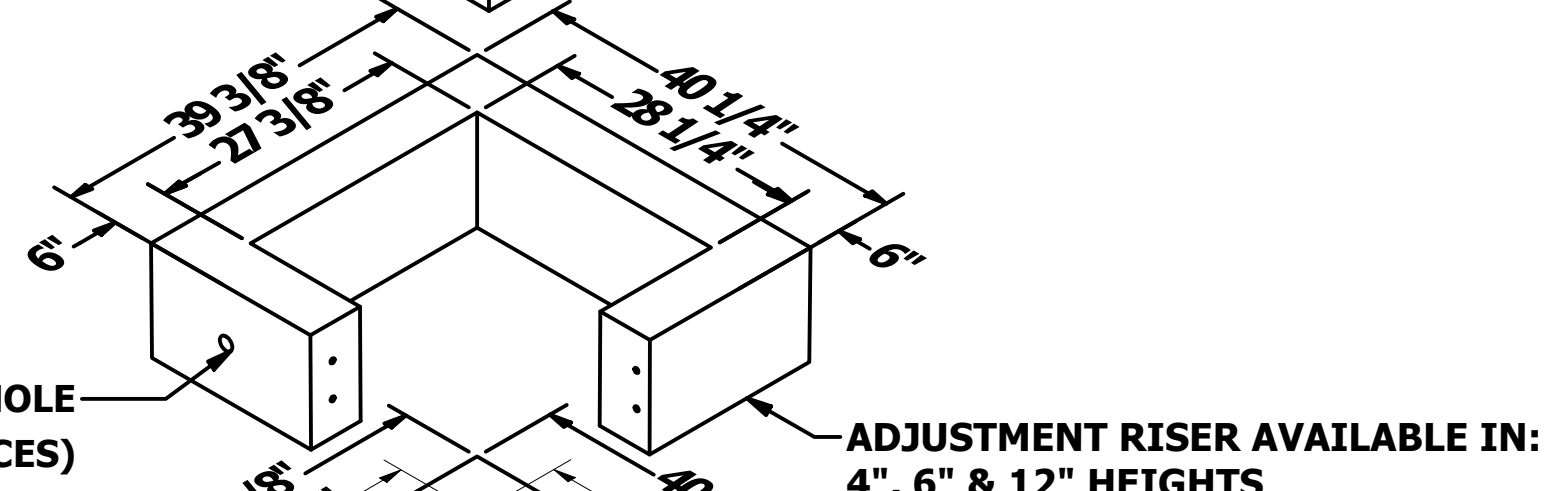
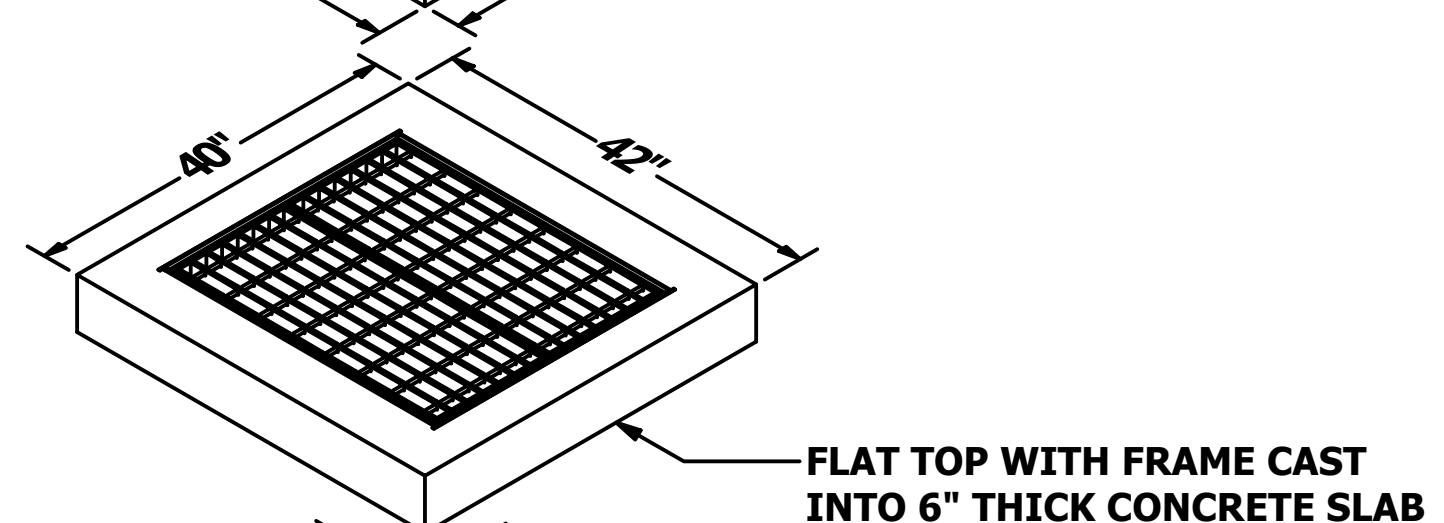
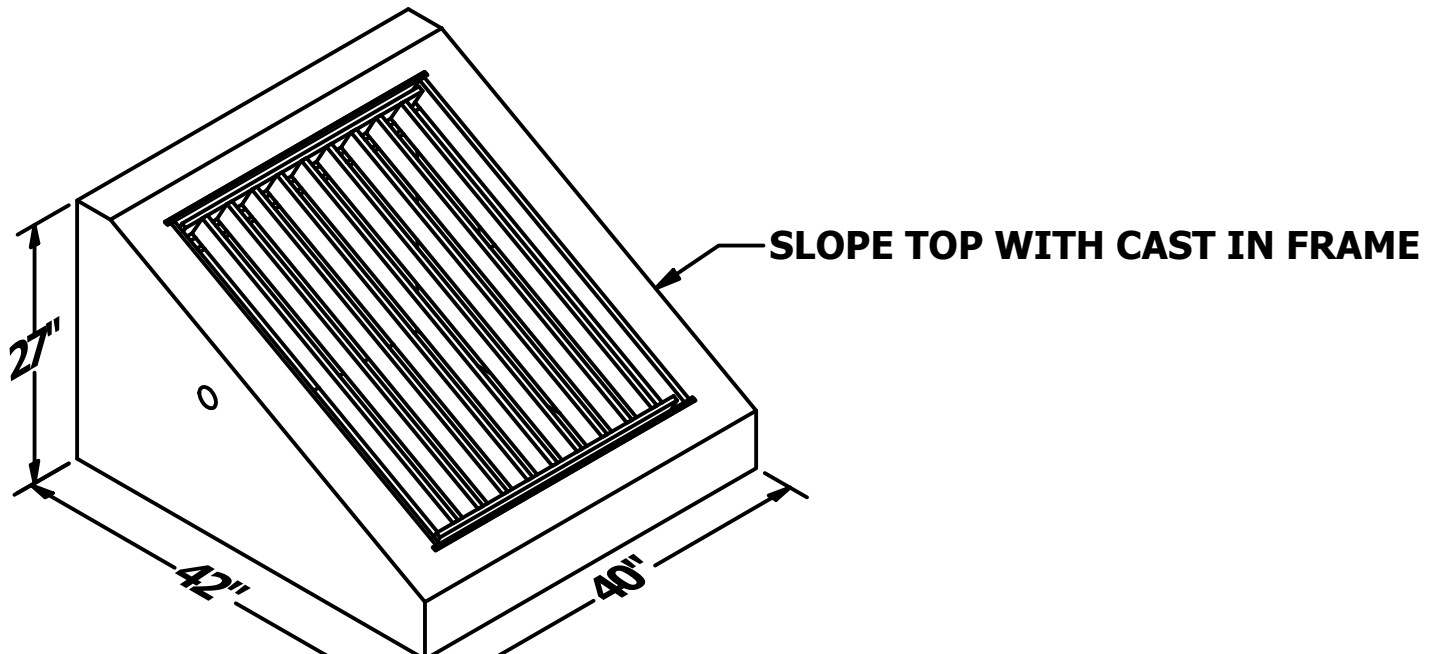


# CATCH BASIN G2 - WC



PRODUCT WEIGHTS				
RISER HEIGHT	ADJ RISER	FLAT TOP	SLOPE TOP	CATCH BASIN
-	-	635 LBS	1355 LBS	3200 LBS
4"	285 LBS	-	-	-
6"	425 LBS	-	-	-
12"	845 LBS	-	-	-



**Precast Concrete, LLC.**

**NOTES:**  
 1. MEETS OR EXCEEDS ODOT STANDARD DRAWING NO. RD364  
 2. ALL DIMENSIONS SUBJECT TO ALLOWABLE TOLERANCES

DRAWN CLH	12/30/2020	<b>PRECAST CONCRETE LLC.</b>		
CHECKED				
QA		TITLE: <b>ASSY, G2 CATCH BASIN, WC</b>		
MFG		PROJECT: PRODUCT DRAWINGS		
APPROVED CLH/EK	1/8/2021	SIZE B	DWG NO 55-0028	REV -
		SCALE		SHEET 1 OF 1